

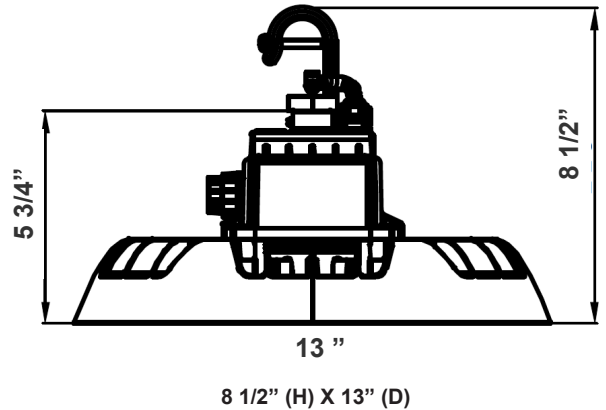
UHX-150W-MCTP-WH

Customer Name: _____

Project Name: _____

Note: _____

Type: _____



In a aluminium shell designed for heat dissipation, UHX is IP65 water resistant rated and ideal for general site lighting, alleys, loading docks, doorways, pathways, parking areas, warehouses and storage buildings.

Features

- Waterproof design, suitable for wet locations
- ADC12 Aluminum Heat Sink, Outdoor Powder Coating Finish
- Optical Lens: PC Materials High Light Transmittance, Anti-UV, Fire-Resistant
- Multi Color Temperature & Multi Power (Selectable Switch Located On The Driver Housing)

Technical Specifications

Electrical:

- Input Wattage: 50W/ 80W/ 100W/ 150W
- Input Voltage: 120-277VAC 50/60Hz
- Power Factor: >0.9
- THD: <20%
- Efficacy: 125 LPW

Mechanical:

- ADC12 Aluminum Heat Sink, Outdoor Powder Coating Finish
- Optical Lens: PC Materials High Light Transmittance, Anti-UV, Fire-Resistant
- LED: LUMILEDS 2835
- LED PCB Board: High Conductive, Waterproof, Aging Resistance, salt mist Resistance, Ensure the Safety and Long Lifespan
- Operating temperature: -40°F to 122°F
- IP rating: IP65, Wet Locations
- 5-Year Warranty

Lighting:

- Dimming: 0~10V
- Total Lumens: 6250/ 10000/ 12500/ 18750 LM
- Multi Color Temperature & Multi Power (Selectable Switch Located On The Driver Housing)
- Color Temperatures: 3000K/ 4000K/ 5000K/5700K
- Color Rendering index: > 80
- Beam Angle: 90°
- Lifespan: 50,000 Hrs

Applications:

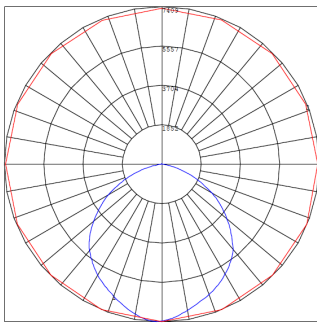
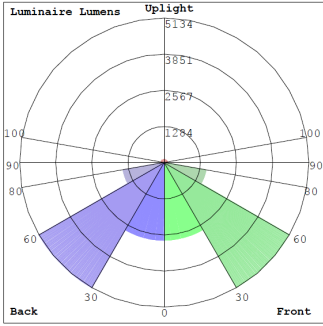
- Ideal for general site lighting, alleys, loading docks, doorway, pathway, parking areas, warehouses and storage buildings.

Other Models:

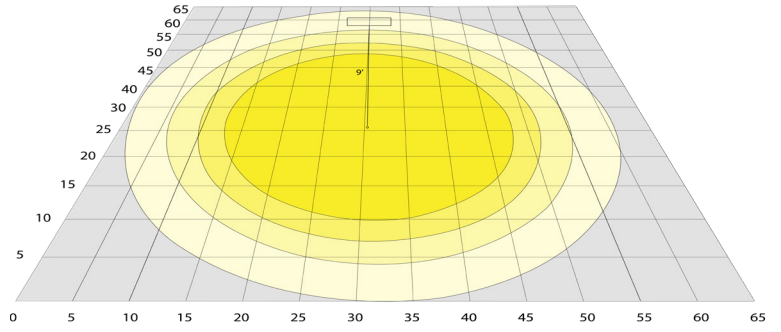
- 230W | 29900 LM | UHX-230W-MCTP-WH



Photometrics: UHX-150W-MCTP-WH



BUG Rating: B4-U3-G1



Area 65'x 65' Mounting Height: 9'

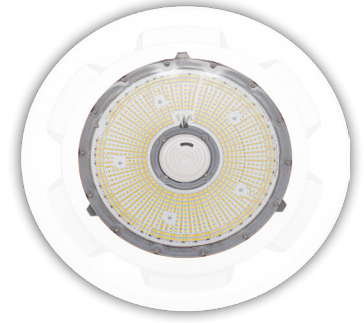
Other Views:



Side View



Top View



Bottom View

Performance Table: UHX-150W-MCTP-WH

MODEL NO.	Wattage	Voltage	Lumens	Color Temp	BUG Rating	LPW
UHX-150W-MCTP-WH	50W	120-277V	6250LM	3000K	B4-U3-G1	125
	80W		10000LM	4000K		
	100W		12500LM	5000K		
	150W		18750LM	5700K		

Sample Ordering

Model Wattage Color Temp. Housing

UHX - 150W - MCTP - WH

Accessory:

Blank = No Accessory
 HB-RING = HIGHBAY TOP RING ADAPTER, 1/2in
 HB-EB-50/75 = HIGHBAY EXPANSION BUSHING FROM 1/2in TO 3/4"
 UHX-SMB = UHX SERIES SURFACE MOUNTING YOKE BRACKET
 UHX-WG-A = UHX SERIES WIRE GUARD, FITS ON FIXTURES
 UHX-SC = UHX SERIES 22" SAFETY CABLE
 UHX-ALR-A = UHX SERIES ALUM. REFLECTOR
 UHX-PCR-A = UHX SERIES PRISMATIC PC REFLECTOR
 UHX-PCDC = UHX SERIES PC DROP LENS COVER FOR REFLECTORS
 UHX-PCC = UHX SERIES PC BOTTOM COVER FOR REFLECTORS
 UXH-FL-B = UHX SERIES REPLACEMENT FROSTED GLASS LENS

Factory-Installed Option:

Blank = No Accessory
 OPT-EM-UHX = EXTERNAL EMERGENCY BACKUP BATTERY INSTALLED ON TOP OF THE FIXTURE
 OPT-HBC=125TL-WH = NEMA TWIST-LOCK PLUG 8FT, 15A, 125V, 16/3TL, WHT
 OPT-HBC=277TL-WH = NEMA TWIST-LOCK PLUG 8FT, 15A, 277V, 16/3TL, WHT
 OPT-HBC=125SB-WH = STRAIGHT BLADE PLUG 10FT, 15A, 125V, 18/3TL, WHT
 OPT-SEN-UHX = MICROWAVE BI-LEVEL SENSOR

Example:

1. UHX-150W-MCTP-WH
2. UHX-150W-MCTP-WH
HB-RING

(FOR UHX 150W MCTP WHITE FIXTURE 120-277V)

(FOR UHX 150W MCTP WHITE FIXTURE 120-277V)
(HIGHBAY TOP RING ADAPTER, 1/2in)



ACCESSORIES:



UHX-PCR-A
UHX SERIES
PRISMATIC PC
REFLECTOR



UHX-ALR-A
UHX SERIES ALUM
REFLECTOR



UHX-PCC
UHX SERIES PC
BOTTOM COVER FOR
REFLECTORS



UHX-PCDC
UHX SERIES PC DROP
LENS COVER FOR
REFLECTORS



HB-RING
HIGHBAY TOP RING
ADAPTER, 1/2in



HB-EB-50/75
HIGHBAY
EXPANSION
BUSHING FROM 1/2in
TO 3/4"



UHX-SMB
UHX SERIES SURFACE
MOUNTING YOKE
BRACKET
(Can be painted)



UHX-WG-A
UHX SERIES WIRE
GUARD, FITS ON
FIXTURES



UXH-FL-B
UHX SERIES
REPLACEMENT FROSTED
GLASS LENS



UHX-SC
UHX SERIES 22"
SAFETY CABLE

FACTORY-INSTALLED OPTION:



OPT-HBC-125SB-WH
STRAIGHT BLADE PLUG 10FT, 15A,
125V, 18/3TL, WHT



OPT-HBC-125TL-WH
NEMA TWIST-LOCK PLUG 8FT, 15A,
125V, 16/3TL, WHT



OPT-HBC-277TL-WH
NEMA TWIST-LOCK PLUG 8FT, 15A,
277V, 16/3TL, WHT



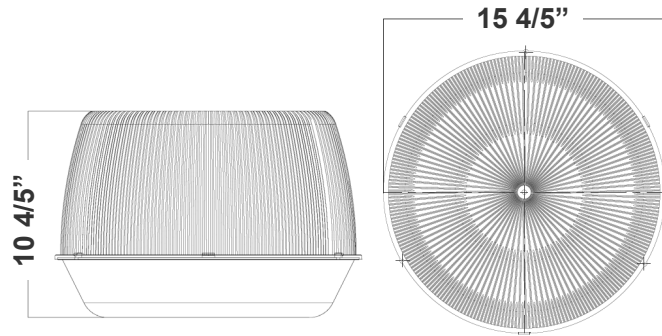
OPT-EM-UHX
EXTERNAL EMERGENCY
BACKUP BATTERY INSTALLED
ON TOP OF THE FIXTURE
(The bracket can be painted)



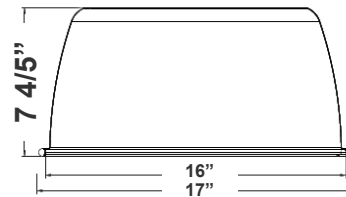
Dimensions:



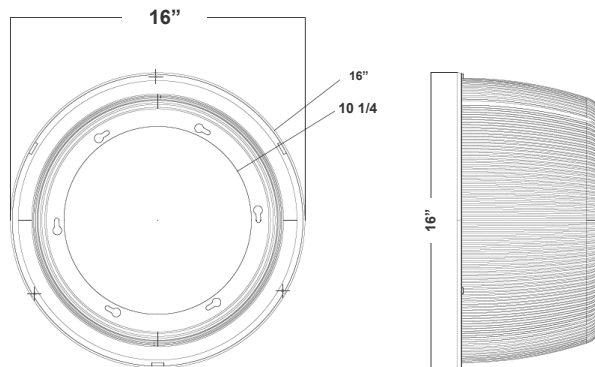
UHX-PCC
UHX SERIES PC BOTTOM COVER
FOR REFLECTORS



UHX-ALR-B
UHX SERIES ALUM. REFLECTOR



UHX-PCR-B
UHX SERIES PRISMATIC PC
REFLECTOR



UHX-PCDC
UHX SERIES PC DROP LENS
COVER FOR REFLECTORS

